



Schön leistungsfähig

BRACKET KIT FOR SWIVEL JOINTS G 1 - G 3/4

Easy to install on the rear of tractor trucks for samitrailer to facilitate the movements of hydraulic pipes. It is supplied with 1 swivel joint of G 1 or G 3/4, extension steel pipes, brackets and bolts. Swivel joints can be placed in 3 different positions and it is also possible to add and extra one into central position. The main bracket and accessories are cold zinc treated.



Mounting example

Bracket kit G 1 code 122-015-10217
Bracket kit G 3/4 code 122-015-10191



Valves mounting example

Additional position
1 pipe OPTIONAL
code 122-016-00101 (G 1)
code 122-016-00058 (G 3/4)

Bracket
code 122-015-30035

SUPPORT CROSSBOARD FOR REVOLVING JOINTS G 1 - G 3/4

It is mounted on the rear of truck tractors to facilitate the operation of oleodynamic pipes. It is provided with 2 revolving joints of G 1 or G 3/4, steel extensions pipes, plates, nuts and bolts for mounting. The joints can be positioned on 5 different mounting positions and other ones can be ordered separately and added. All components are made of cold-galvanized steel.



Mounting example

Support crossboard G 1 code 122-015-10020
Support crossboard G 3/4 code 122-015-10002

SUPPORT CROSSBOARD FOR REVOLVING JOINTS G 1 - G 3/4

It is mounted on the rear of truck tractors to facilitate the operation of oleodynamic pipes. It is provided with 1 revolving joint of G 1 or G 3/4, steel extensions pipes, plates, nuts and bolts for mounting. The joints can be positioned on 5 different mounting positions and other ones can be ordered separately and added. All components are made of cold-galvanized steel.



Mounting example

Support crossboard G 1 code 122-015-10208
Support crossboard G 3/4 code 122-015-10182

BRACKET



Code: 122-015-30026

SWIVEL JOINT 90° G 1 AND G 3/4 SUPPORT



Mounting example

Code: 122-015-20019 G 3/4
Code: 122-015-20028 G 1

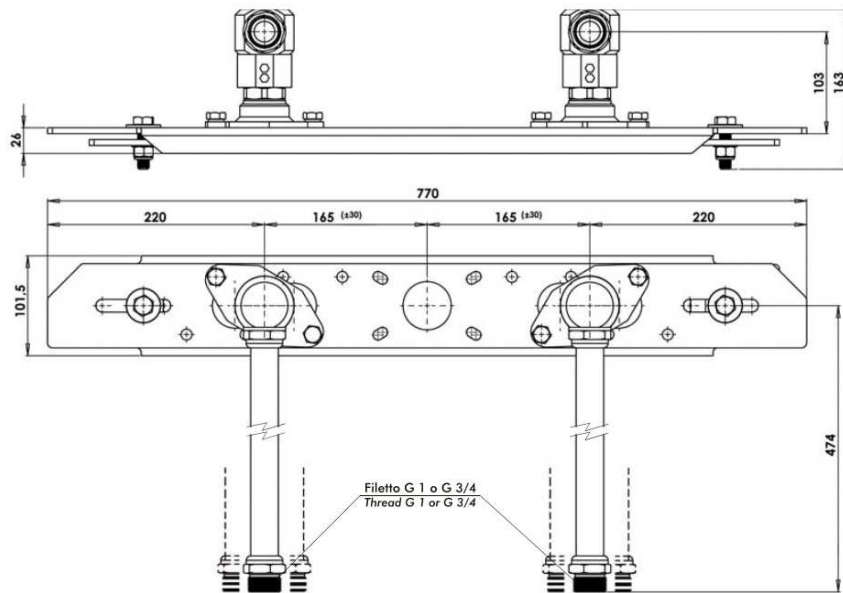
BT-Hydraulik AG
3000 Bern 5
Fischermättelstrasse 6
Telefon 031 379 81 41
Telefax 031 382 39 80

Niederlassung:
8045 Zürich
Räffelstrasse 25
Telefon 044 463 22 52
Telefax 044 463 26 56

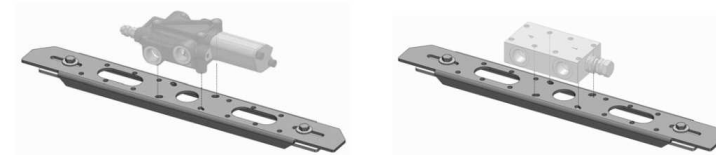
info@bt-hydraulik.ch
www.bt-hydraulik.ch



Schön stark



ESEMPIO MONTAGGIO VALVOLE / VALVES MOUNTING EXAMPLE



BT-Hydraulik AG
3000 Bern 5
Fischermättelstrasse 6
Telefon 031 379 81 41
Telefax 031 382 39 80

Niederlassung:
8045 Zürich
Räffelstrasse 25
Telefon 044 463 22 52
Telefax 044 463 26 56

info@bt-hydraulik.ch
www.bt-hydraulik.ch



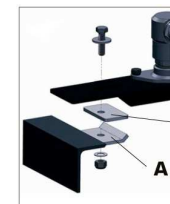
OPTIONAL 122-016-00101 (G 1)
122-016-00058 (G 3/4)

Posizione aggiuntiva 1 tubo
Additional position 1 pipe



OPTIONAL 122-016-00110 (G 1-1/4)

Posizione aggiuntiva 1 tubo/Additional position 1 pipe
Utilizzare solo per ritorno al serbatoio.
Use only for return to tank port.

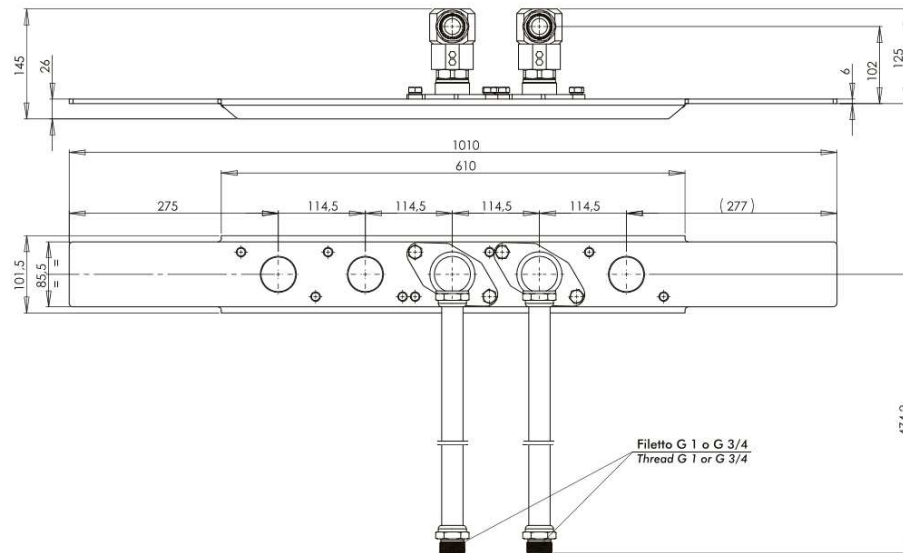


La piastra distanziante indicata ed inserita nel kit viene utilizzata in aggiunta alla piastra di fissaggio principale (A), qualora il longherone del telaio presenti ingombri che non ne permettano il corretto posizionamento e montaggio.

The spacer plate shown is included in the kit and has to be used in addition to the main mounting plate (A), when the member of the chassis should have particular dimensions that do not allow the proper positioning and mounting.



Schön stark



OPTIONAL 122-016-00101 (G 1)
122-016-00058 (G 3/4)

Posizione aggiuntiva 1 tubo
 Additional position 1 pipe

OPTIONAL 122-016-00110 (G 1-1/4)

Posizione aggiuntiva 1 tubo/Additional position 1 pipe
 Utilizzare solo per ritorno al serbatoio.
 Use only for return to tank port.

BT-Hydraulik AG
 3000 Bern 5
 Fischermättelstrasse 6
 Telefon 031 379 81 41
 Telefax 031 382 39 80

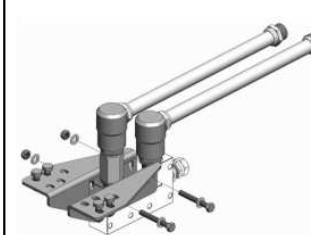
Niederlassung:
 8045 Zürich
 Räfelstrasse 25
 Telefon 044 463 22 52
 Telefax 044 463 26 56

info@bt-hydraulik.ch
www.bt-hydraulik.ch

Weitere Varianten:

FIFTH WHEEL MOUNTING KIT FOR RETURN PLATE G 1 WITH 2 SWIVEL JOINTS G 1

Mounting kit specifically DESIGNED to mount the return plate with relief valve 121-080-serie, in front of FIFTH WHEEL of truck tractors to MAKE 2-HOSES HYDRAULIC KIT ON SEMITRAILERS.
 Support brackets are MADE in galvanised steel and allow a quick valve mounting with different positions available.
 The kit includes the mounting nuts and bolts and two revolving joints COMPLETE WITH their extension pipes to swivel the semitrailer hoses.

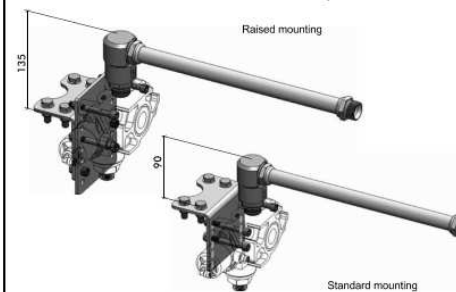


Mounting example

Code: 121-994-00815

MOUNTING KIT FOR MODULAR 250 TIPPING VALVE ONTO FIFTH WHEEL WITH 1 SWIVEL JOINT G1

This assembly has been specially developed for tractor trucks with 1-hose hydraulic system with MODULAR 250 tipping valve fitted in front of fifth wheel anchored to the mounting foot of the same. The assembly is composed of mounting brackets that allow to change the mounting height with regards to the fifth wheel surface according to the requirements. The kit is completed with 1 swivel joint G1 and related 450mm extensions to facilitate the hose rotation while the truck is on the move without any interference with the chassis.



Mounting example

Code: 121-994-00806